



FUJIAN YAHENG POWER TECHNOLOGY GROUP CO.,LTD

6FM65 12V65AH



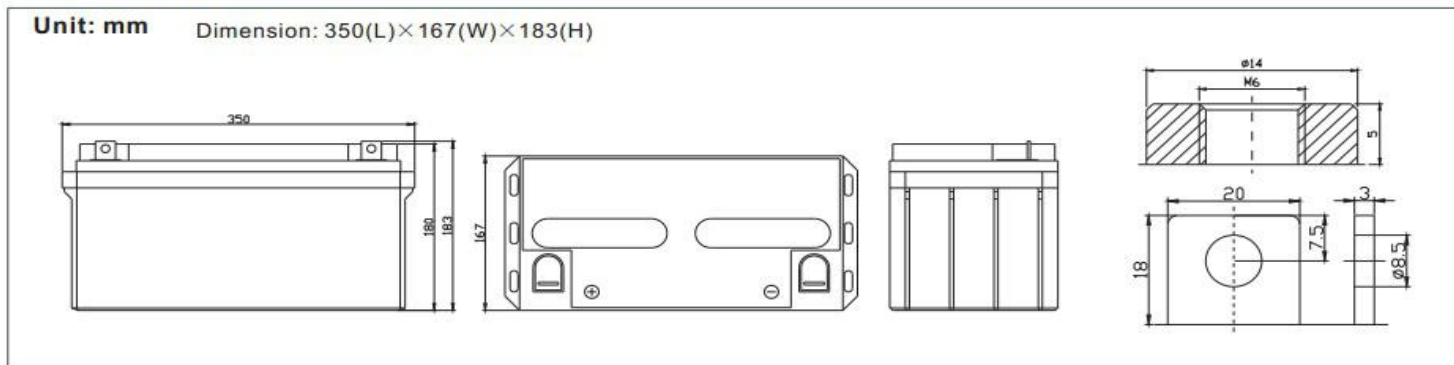
6FM65 is a general purpose battery with 5 years floating design life, meet with IEC,JIS standard. With heavy duty grid thickness plates, special additives, FM series battery have long and reliable standby service life.

Specification

Cells Per Unit	6
Voltage Per Unit	12V
Capacity	65AH@20hr-rate to 1.75V per cell @ 25°C
Weight	Approx. 19.0kg (Tolerance±3%)
Max. Discharge Current	650A(5sec)
Internal Temperature Range	Discharge: -20°C~60°C Charge: 0°C~50°C Storage: -20°C~60°C
Normal Operating Temperature Range	25±5°C
Float Charging Voltage	13.6 to 13.8 VDC/unit Average at 25°C
Recommended Maximum Charging	19.5A Current Limit
Equalization and Cycle service	14.6 to 14.8 VDC /unit Average at 25°C
Self Discharge	YAHENG Vale Regulated Lead Acid(VRLA) Can be stored for more than 6 months at 25°C. Self-discharge ratio less than 3% per month at25°C. Please charge batteries before using
Terminal	Terminal F14/L20
Container Material	A.B.S. UL94-HB, Flammability resistance of UL94-V2 can be avail upon request

Dimensions

Unit: mm Dimension: 350(L)×167(W)×183(H)



Constant Current Discharge Characteristics: A(25°C)

F.V/Time	5MIN	10MIN	15MIN	30MIN	1HR	2HR	3HR	4HR	5HR	8HR	10HR	20HR
9.60V	217.8	160.4	125.0	76.18	42.25	25.27	17.45	14.45	12.17	8.312	6.894	3.678
10.0V	211.5	152.6	122.4	74.86	42.06	25.08	17.38	14.39	12.10	8.244	6.828	3.612
10.2V	205.2	147.2	120.5	73.47	41.67	24.89	17.25	14.32	12.02	8.176	6.761	3.545
10.5V	184.3	135.8	114.7	72.92	41.28	24.70	17.18	14.19	11.88	8.109	6.695	3.478
10.8V	166.3	123.9	105.8	71.67	40.30	24.25	16.71	13.85	11.67	7.974	6.629	3.411
11.1V	142.0	110.7	94.87	67.10	38.29	23.18	15.98	13.18	11.17	7.636	6.430	3.210

Constant Power Discharge Characteristics: W(25°C)

F.V/Time	5MIN	10MIN	15MIN	30MIN	1HR	2HR	3HR	4HR	5HR	8HR	10HR	20HR
9.60V	2298	1708	1363	854.8	488.2	297.8	207.6	172.3	145.2	99.24	82.38	44.10
10.0V	2252	1655	1341	844.3	487.1	296.2	207.7	172.1	144.8	98.76	81.86	43.34
10.2V	2227	1612	1326	838.3	483.3	294.4	206.8	171.7	144.3	98.12	81.14	42.54
10.5V	2027	1501	1265	832.5	478.9	292.3	206.0	170.1	142.6	97.31	80.34	41.73
10.8V	1846	1383	1169	819.2	470.1	288.6	200.4	166.2	140.0	95.69	79.54	40.93
11.1V	1622	1251	1052	771.6	450.0	277.9	191.7	158.2	134.0	91.63	77.16	38.52

All mentioned values are average values.



FUJIAN YAHENG POWER TECHNOLOGY GROUP CO.,LTD

Temperature and Valid Capacity



Discharge Characteristics at Various Rates @25°C/77



Charge characteristic curve for standby use



Storage characteristic



Discharge Current VS. Discharge Voltage

Final Discharge Voltage V/cell	1.75V	1.75V	1.60V
Discharge Current (A)	A ≤ 0.2C	0.2C ≤ A ≤ 1.0C	≥ 1.0C

Charge the batteries at least once every six months, if they are stored at 25°C

Charging Method:

Constant Voltage	-0.2C*2h+2.4-2.45V/cell*24h, Max.Current 0.3CA
Constant Current	-0.2C*2h+0.1CA*12h
Fast	-0.2C*2h+0.3CA*4.0h

Maintenance & Cautions

Float Service

- ✘ Every month, recommend inspection every battery voltage
 - ✘ Every three months, recommend equalization charge for one time.
- Equalization charge method:
- Discharge: 100% rate capacity discharge.
- Charge: Max. Current 0.3CA, constant voltage 2.4-2.45V/Cell charge 24h
- ✘ Effect of temperature on float charge voltage: -3mV/Cell.
 - ✘ Length of service life will be directly affected by the number of discharge cycles, depth of discharge, ambient temperature and charging voltage.

Contact us:

Fujian Yaheng Power Technology Group Co.,Ltd

Add: Yaheng Industrial Park, Jianyang District, Nanping City, Fujian Province, China

Website: www.yahengpower.com

Email: liwendu@yahengpower.com

Tel: +86-599-5837578 Fax: +86-599-5823986