

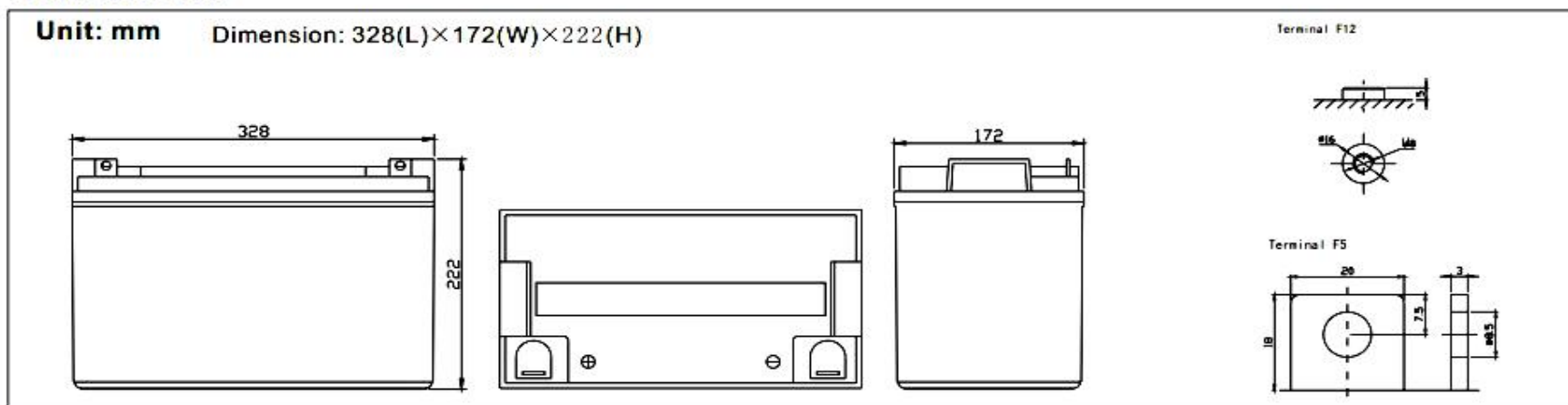
6-EVF-100 is AGM deep cycle battery, with specially designed for frequent cyclic discharge usage. By using strong grid and specific paste plate, it can deliver more than 450 cycles at 100% DOD. It is applicable for electric bicycle, golf cart, electric wheelchair, etc..



Specification

| | |
|------------------------------------|---|
| Cells Per Unit | 6 |
| Voltage Per Unit | 12V |
| Capacity | 100AH@3hr-rate to 1.75V per cell @ 25°C |
| Weight | Approx. 35.0kg (Tolerance ± 3%) |
| Max. Discharge Current | 1000A(5sec) |
| Internal Temperature Range | Discharge: -20°C~60°C Charge: 0°C~50°C Storage: -20°C~60°C |
| Normal Operating Temperature Range | 25 ± 5°C |
| Float Charging Voltage | 13.6 to 13.8 VDC/unit Average at 25°C |
| Recommended Maximum Charging | 30.0A |
| Current Limit | |
| Equalization and Cycle service | 14.6 to 14.8 VDC /unit Average at 25°C |
| Self Discharge | YAHENG Vale Regulated Lead Acid(VRLA) Can be stored for more than 6 months at 25°C. Self-discharge ratio less than 3% per month at 25°C. Please charge batteries before using |
| Terminal | Terminal F12/L20 |
| Container Material | A.B.S. UL94-HB, Flammability resistance of UL94-V2 can be avail upon request |

Dimensions



Constant Current Discharge Characteristics: A(25°C)

| F.V/Time | 5MIN | 10MIN | 15MIN | 30MIN | 1HR | 2HR | 3HR | 4HR | 5HR |
|----------|-------|-------|-------|-------|-------|-------|-------|-------|-------|
| 9.60V | 408.2 | 297.9 | 243.1 | 151.0 | 87.10 | 52.12 | 36.02 | 29.52 | 24.17 |
| 10.0V | 396.4 | 283.5 | 238.1 | 148.5 | 86.70 | 51.73 | 35.89 | 29.39 | 24.02 |
| 10.2V | 384.6 | 273.4 | 234.4 | 147.2 | 85.89 | 51.33 | 35.61 | 29.25 | 23.88 |
| 10.5V | 345.4 | 252.3 | 223.1 | 143.5 | 85.09 | 50.94 | 35.47 | 28.98 | 23.60 |
| 10.8V | 311.8 | 230.1 | 205.7 | 137.2 | 83.08 | 50.03 | 34.51 | 28.29 | 23.17 |
| 11.1V | 266.2 | 205.6 | 184.5 | 128.5 | 78.93 | 47.81 | 32.99 | 26.93 | 22.17 |

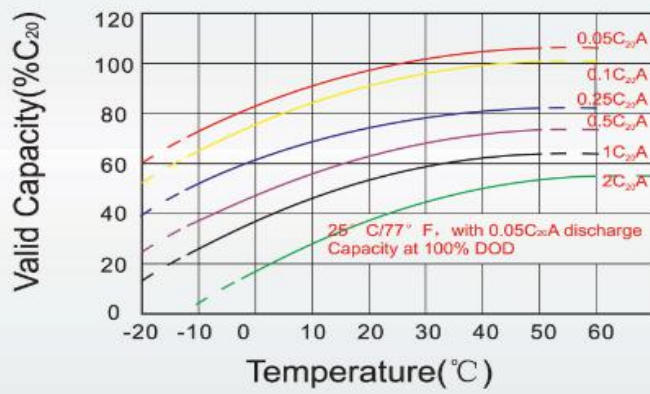
Constant Power Discharge Characteristics: W(25°C)

| F.V/Time | 5MIN | 10MIN | 15MIN | 30MIN | 1HR | 2HR | 3HR | 4HR | 5HR |
|----------|------|-------|-------|-------|-------|-------|-------|-------|-------|
| 9.60V | 4222 | 3173 | 2674 | 1721 | 1006 | 614.3 | 428.7 | 351.9 | 288.3 |
| 10.0V | 4139 | 3075 | 2631 | 1700 | 1004 | 611.0 | 428.8 | 351.5 | 287.6 |
| 10.2V | 4092 | 2994 | 2601 | 1688 | 996.3 | 607.4 | 427.0 | 350.7 | 286.6 |
| 10.5V | 3752 | 2788 | 2481 | 1649 | 987.4 | 602.9 | 425.3 | 347.4 | 283.2 |
| 10.8V | 3393 | 2570 | 2294 | 1580 | 969.1 | 595.3 | 413.7 | 339.5 | 278.0 |
| 11.1V | 2980 | 2324 | 2065 | 1484 | 927.7 | 573.2 | 395.8 | 323.1 | 266.1 |

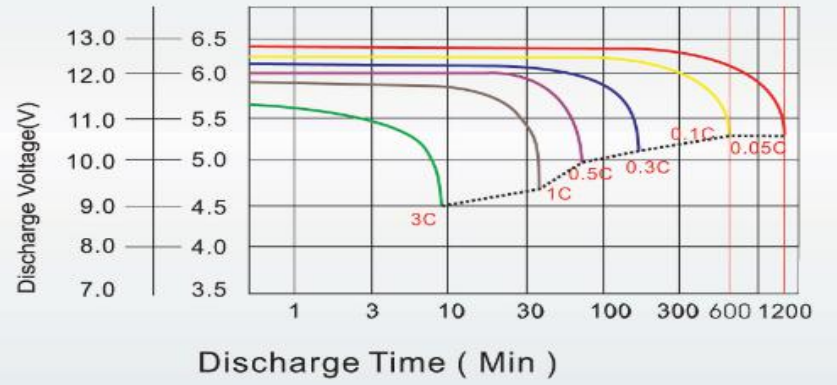
All mentioned values are average values.



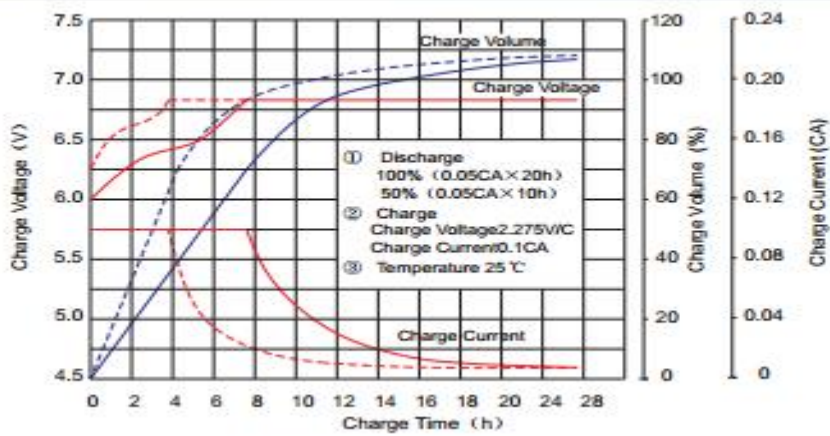
Temperature and Valid Capacity



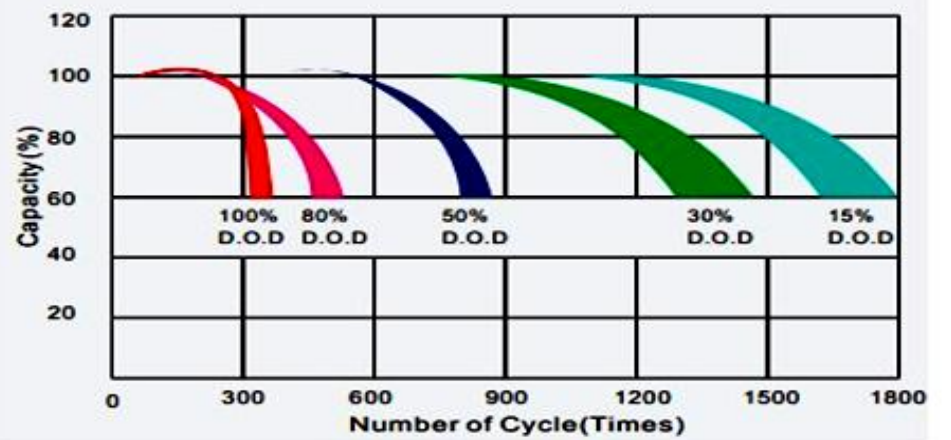
Discharge Characteristics at Various Rates @25°C/77°F



Charge characteristic curve for standby use



Life characteristics of cyclic use



Discharge Current VS. Discharge Voltage

| | | | |
|--------------------------------|----------|-----------------|--------|
| Final Discharge Voltage V/cell | 1.75V | 1.70V | 1.60V |
| Discharge Current (A) | A ≤ 0.2C | 0.2C ≤ A ≤ 1.0C | ≥ 1.0C |

Charge the batteries at least once every six months, if they are stored at 25°C

Charging Method:

| | |
|------------------|---|
| Constant Voltage | -0.2C*2h+2.4-2.45V/cell*24h, Max. Current 0.3CA |
| Constant Current | -0.2C*2h+0.1CA*12h |
| Fast | -0.2C*2h+0.3CA*4.0h |

Maintenance & Cautions

Float Service

- ※ Every month, recommend inspection every battery voltage
 - ※ Every three months, recommend equalization charge for one time.
- Equalization charge method:
- Discharge: 100% rate capacity discharge.
- Charge: Max. Current 0.3CA, constant voltage 2.4-2.45V/Cell charge 24h
- ※ Effect of temperature on float charge voltage: -3mV/Cell.
 - ※ Length of service life will be directly affected by the number of discharge cycles, depth of discharge, ambient temperature and charging voltage.

Contact us:

Fujian Yaheng Power Technology Group Co.,Ltd

Add: Yaheng Industrial Park, Jianyang District, Nanping City, Fujian Province, China

Website: www.yahengpower.com Email: liwendu@yahengpower.com

Tel: +86-599-5837578 Fax: +86-599-5823986

Yaheng Power Shenzhen office:

Rm D703, UNIS, Langshan Rd. 13, North high-tech industrial park, Nanshan District, Shenzhen City

Tel: +86-755-86962682 Fax: +86-755-26905060 Email: sales01@yahengpower.com