

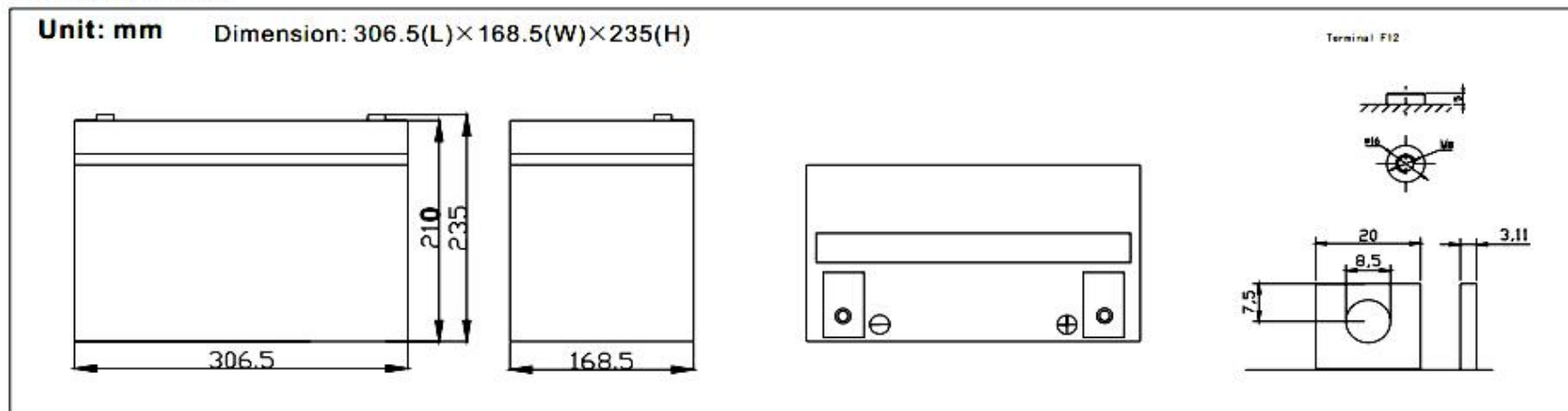
6-EVF-90 is AGM deep cycle battery, with specially designed for frequent cyclic discharge usage. By using strong grid and specific paste plate, it can deliver more than 450 cycles at 100% DOD. It is applicable for electric bicycle, golf cart, electric wheelchair, etc..



Specification

Cells Per Unit	6
Voltage Per Unit	12V
Capacity	90AH@3hr-rate to 1.75V per cell @ 25°C
Weight	Approx. 31.0kg (Tolerance ± 3%)
Max. Discharge Current	900A(5sec)
Internal Temperature Range	Discharge: -20°C~60°C Charge: 0°C~50°C Storage: -20°C~60°C
Normal Operating Temperature Range	25 ± 5°C
Float Charging Voltage	13.6 to 13.8 VDC/unit Average at 25°C
Recommended Maximum Charging	27.0A
Current Limit	
Equalization and Cycle service	14.6 to 14.8 VDC /unit Average at 25°C
Self Discharge	YAHENG Vale Regulated Lead Acid(VRLA) Can be stored for more than 6 months at 25°C. Self-discharge ratio less than 3% per month at 25°C. Please charge batteries before using
Terminal	Terminal F12/L20
Container Material	A.B.S. UL94-HB, Flammability resistance of UL94-V2 can be avail upon request

Dimensions



Constant Current Discharge Characteristics: A(25°C)

F.V/Time	5MIN	10MIN	15MIN	30MIN	1HR	2HR	3HR	4HR	5HR
9.60V	365.5	266.8	217.7	135.2	78.00	46.67	32.36	26.44	21.64
10.0V	355.0	253.8	213.2	133.0	77.64	46.32	32.14	26.32	21.51
10.2V	344.5	244.9	209.9	131.8	76.92	45.97	31.89	26.19	21.39
10.5V	309.3	226.0	199.8	128.5	76.20	45.62	31.77	25.95	21.13
10.8V	297.2	206.1	184.2	122.9	74.40	44.80	30.90	25.34	20.75
11.1V	238.4	184.2	165.2	115.1	70.68	42.81	29.54	24.11	19.86

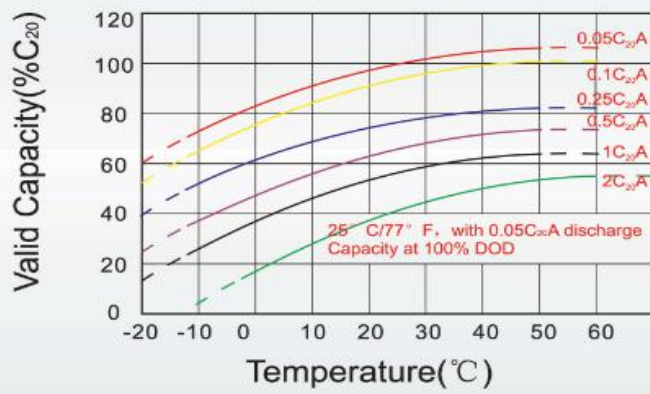
Constant Power Discharge Characteristics: W(25°C)

F.V/Time	5MIN	10MIN	15MIN	30MIN	1HR	2HR	3HR	4HR	5HR
9.60V	3781	2841	2395	1541	901.3	550.1	283.9	315.1	285.2
10.0V	3706	2754	2356	1522	899.2	547.2	384.0	314.7	257.5
10.2V	3664	2681	2330	1512	892.2	543.9	382.3	314.1	256.6
10.5V	3336	2497	2222	1476	884.2	540.0	380.9	311.1	253.6
10.8V	3038	2302	2054	1415	867.9	533.1	370.5	304.0	249.0
11.1V	2669	2081	1849	1329	830.7	513.3	354.5	289.4	238.3

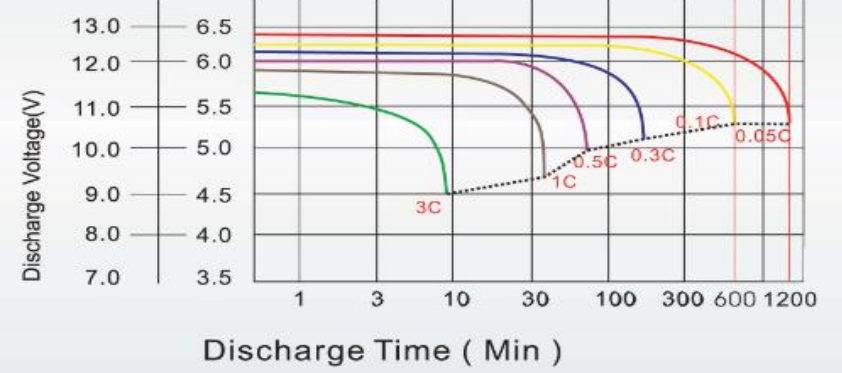
All mentioned values are average values.



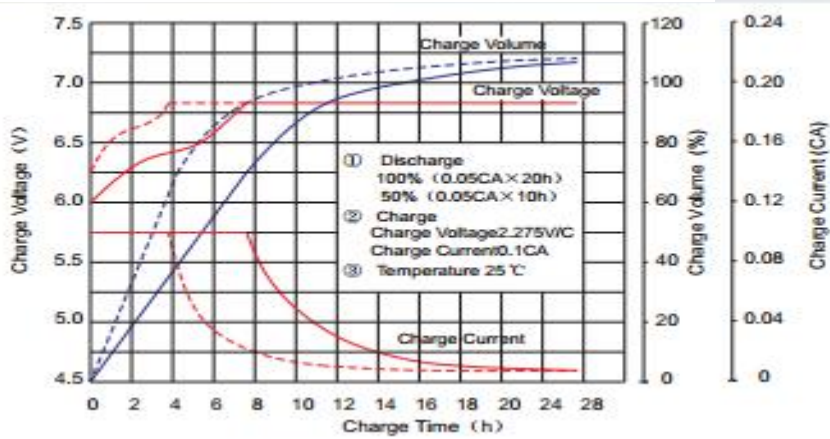
Temperature and Valid Capacity



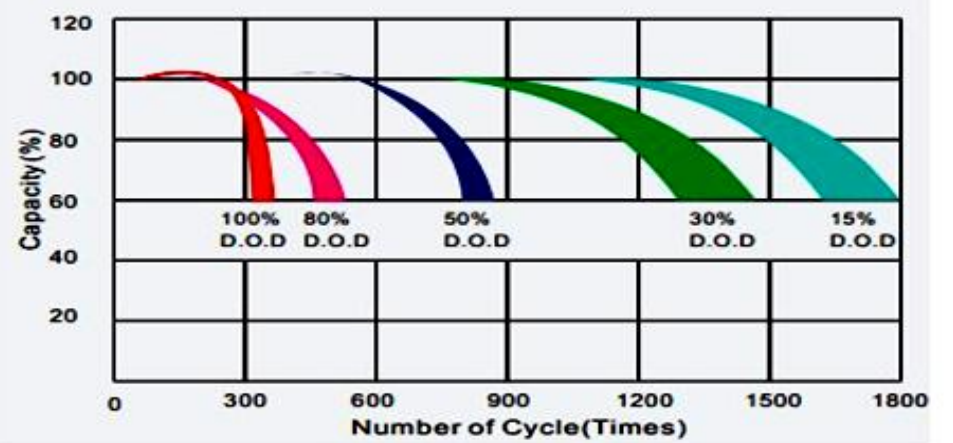
Discharge Characteristics at Various Rates @25°C/77°F



Charge characteristic curve for standby use



Life characteristics of cyclic use



Discharge Current VS. Discharge Voltage

Final Discharge Voltage V/cell	1.75V	1.70V	1.60V
Discharge Current (A)	A ≤ 0.2C	0.2C ≤ A ≤ 1.0C	≥ 1.0C

Charge the batteries at least once every six months, if they are stored at 25°C

Charging Method:

Constant Voltage	-0.2C*2h+2.4-2.45V/cell*24h, Max. Current 0.3CA
Constant Current	-0.2C*2h+0.1CA*12h
Fast	-0.2C*2h+0.3CA*4.0h

Maintenance & Cautions

Float Service

- ※ Every month, recommend inspection every battery voltage
 - ※ Every three months, recommend equalization charge for one time.
- Equalization charge method:
- Discharge: 100% rate capacity discharge.
- Charge: Max. Current 0.3CA, constant voltage 2.4-2.45V/Cell charge 24h
- ※ Effect of temperature on float charge voltage: -3mV/Cell.
 - ※ Length of service life will be directly affected by the number of discharge cycles, depth of discharge, ambient temperature and charging voltage.

Contact us:

Fujian Yaheng Power Technology Group Co.,Ltd

Add: Yaheng Industrial Park, Jianyang District, Nanping City, Fujian Province, China

Website: www.yahengpower.com Email: liwendu@yahengpower.com

Tel: +86-599-5837578 Fax: +86-599-5823986

Yaheng Power Shenzhen office:

Rm D703, UNIS, Langshan Rd. 13, North high-tech industrial park, Nanshan District, Shenzhen City

Tel: +86-755-86962682 Fax: +86-755-26905060 Email: sales01@yahengpower.com